



MODEL: SOCRATES
FINISH: CAST STONE

AVAILABLE THROUGH:
LANDSCAPE FORMS, INC.
431 LAWDALE AVE.
KALAMAZOO, MI 49048
PH.: 800.430.6209
FAX: 269.381.3455
www.landscapeforms.com

- NOTES:
1. 24" x 24", BACKLESS, POLISHED AND WATERPROOFED
 2. COLOR: BEIGE
 3. OR APPROVED EQUAL

1 STONE BENCH

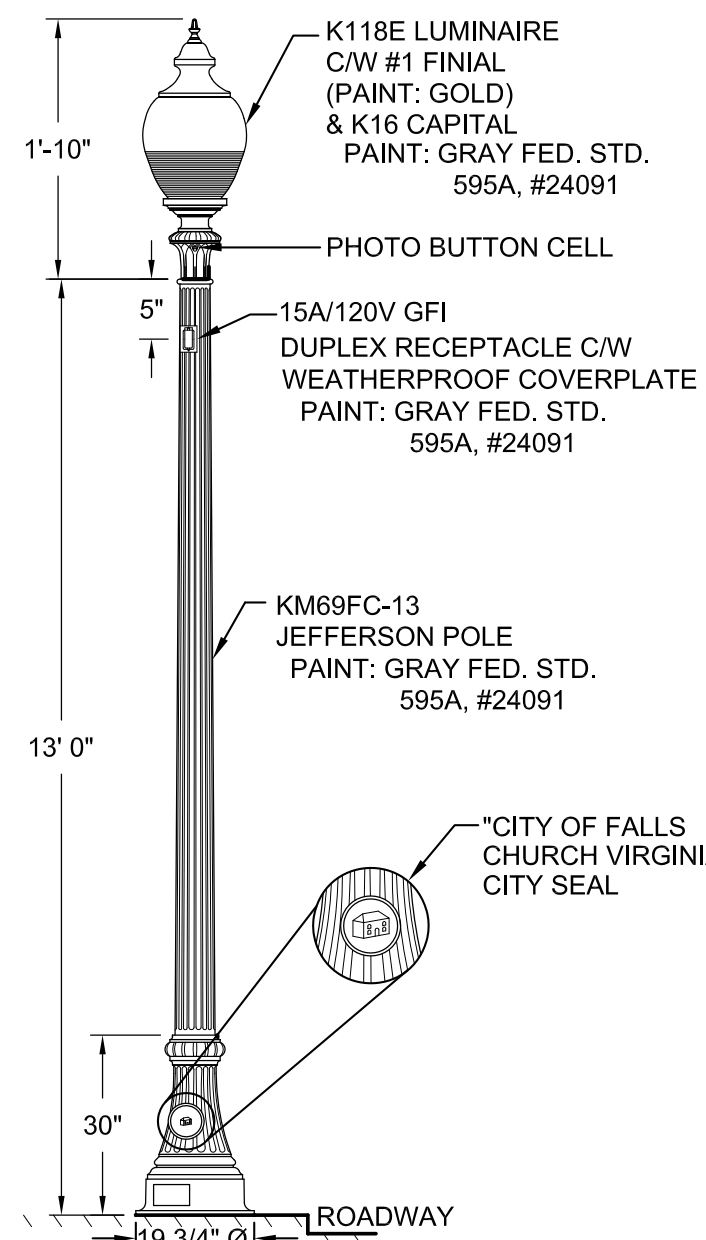
L-4.2 PICTORIAL

05A-XXX
NTS

4 KIOSK

L-4.2 PICTORIAL

05A-XXX
NTS



LUMINAIRE SPECIFICATIONS

CATALOGUE NO.: K118R-BAAR-III/V-60 OR 100(SSL) -5000 OR 8000-120:277V-K16-SST

QUANTITY: -

GLOBE MOUNTING: ROTOLock

OPTICAL SYSTEM: BAFFLED ARRAY ACRYLIC RIPPLED

IES CLASS.: TYPE III/V

INPUT WATTAGE: 60W OR 100W

SERIES: SOLID STATE LIGHTING

CCT: 5000 OR 8000

LINE VOLTAGE: 120:277V

POLE ADAPTOR: K16

PAINT: TEXTURED BLACK

OPTIONS: SOLID SPUN TOP

BALLAST SPECIFICATIONS

BALLAST TYPE: SUPPLIED ELECTRONIC

BALLAST MANU.: -

CATALOGUE NO.: -

OPTIONS

QUICK DISCONNECT

TERMINAL BLOCK

OTHER: 540 JOULE @ 2mS 20kA-8/20uS SURGE PROTECTION

POLE SPECIFICATIONS

CATALOGUE NO.: KM69FC-13-DR & AB

QUANTITY: -

MATERIAL: FLTD. CAST ALUM. SHAFT
CAST ALUM. BASE

PAINT: GRAY FED. STD. 595A, #24091

SHAFT TOP DIA.: 5"

OVERALL LENGTH: 13'-0"

ANCHOR BOLTS: (4) 1" x 36"L

BOLT CIRCLE: 12" Ø

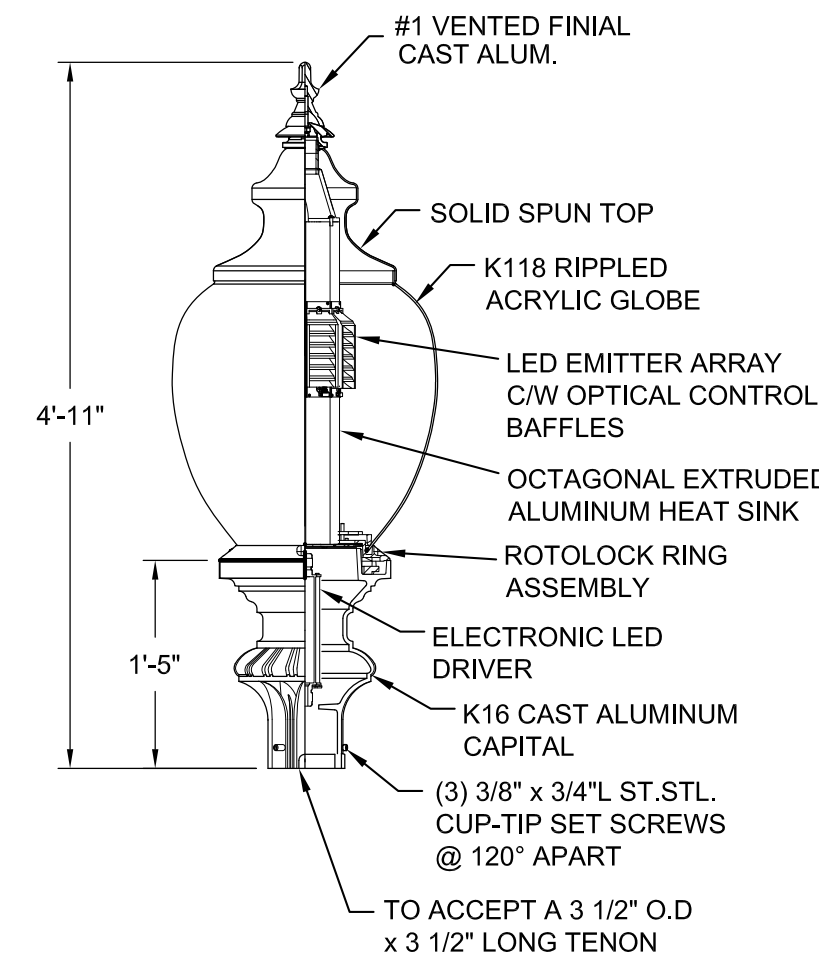
- NOTES:
1. LIGHT SPECIFICATIONS AND LOCATIONS TO BE REVIEWED AND FINALIZED BY A QUALIFIED LIGHTING ENGINEER.
 2. ALL STRUCTURAL CROSS SECTIONS, INCLUDING FOOTINGS, SHALL BE REVIEWED BY A QUALIFIED STRUCTURAL ENGINEER AND MODIFIED AS NECESSARY BASED ON THE SITE SPECIFIC GEOTECHNICAL REPORT.

MANUFACTURED BY:
KING LUMINAIRE
COMPANY INC.
P.O. BOX 266
1153 STATE ROUTE 46N
JEFFERSON, OH 44047
WWW.STRESSCRETE.COM

12E-xxx
3/8" = 1'-0"

5 STREETLIGHT

L-4.2 SECTION



LUMINAIRE SPECIFICATIONS

CATALOGUE NO.: K118R-BAAR-III/V-60 OR 100(SSL) -5000 OR 8000-120:277V-K16-SST

QUANTITY: -

GLOBE MOUNTING: ROTOLock

OPTICAL SYSTEM: BAFFLED ARRAY ACRYLIC RIPPLED

IES CLASS.: TYPE III/V

INPUT WATTAGE: 60W OR 100W

SERIES: SOLID STATE LIGHTING

CCT: 5000 OR 8000

LINE VOLTAGE: 120:277V

POLE ADAPTOR: K16

PAINT: TEXTURED BLACK

OPTIONS: SOLID SPUN TOP

BALLAST SPECIFICATIONS

BALLAST TYPE: SUPPLIED ELECTRONIC

BALLAST MANU.: -

CATALOGUE NO.: -

OPTIONS

QUICK DISCONNECT

TERMINAL BLOCK

OTHER: 540 JOULE @ 2mS 20kA-8/20uS SURGE PROTECTION

MANUFACTURED BY:
KING LUMINAIRE
COMPANY INC.
P.O. BOX 266
1153 STATE ROUTE 46N
JEFFERSON, OH 44047
WWW.STRESSCRETE.COM

12E-xxx
3/8" = 1'-0"

6 STREETLIGHT FIXTURE

L-4.2 SECTION

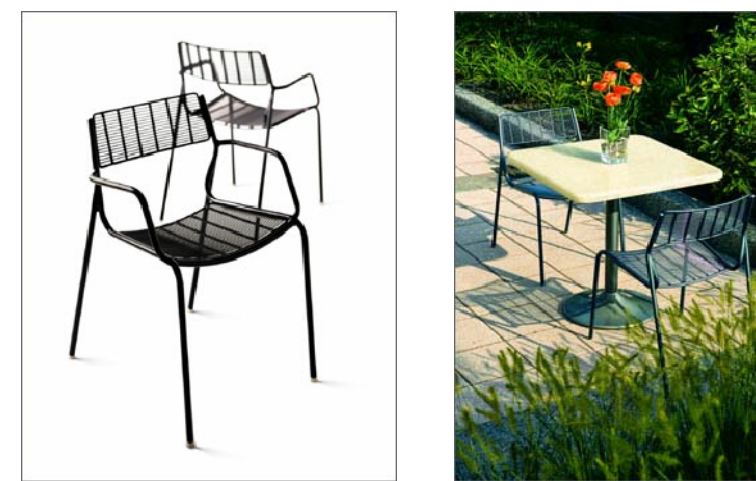


TABLE
30" SQ.
FINISH: MARNEAUX SOLID SURFACE
COLOR: TBD

CHAIR
MODEL: VERONA WITH ARMS
COLOR: TBD

AVAILABLE THROUGH:
LANDSCAPE FORMS, INC.
431 LAWDALE AVE.
KALAMAZOO, MI 49048
PH.: 800.430.6209
FAX: 269.381.3455
www.landscapeforms.com

- NOTE:
OR APPROVED EQUAL

2 OUTDOOR DINING TABLE AND CHAIRS

L-4.2 PICTORIAL

05A-XXX
NTS



MODEL: PARC CENTRE
FINISH: POWDERCOATED STEEL

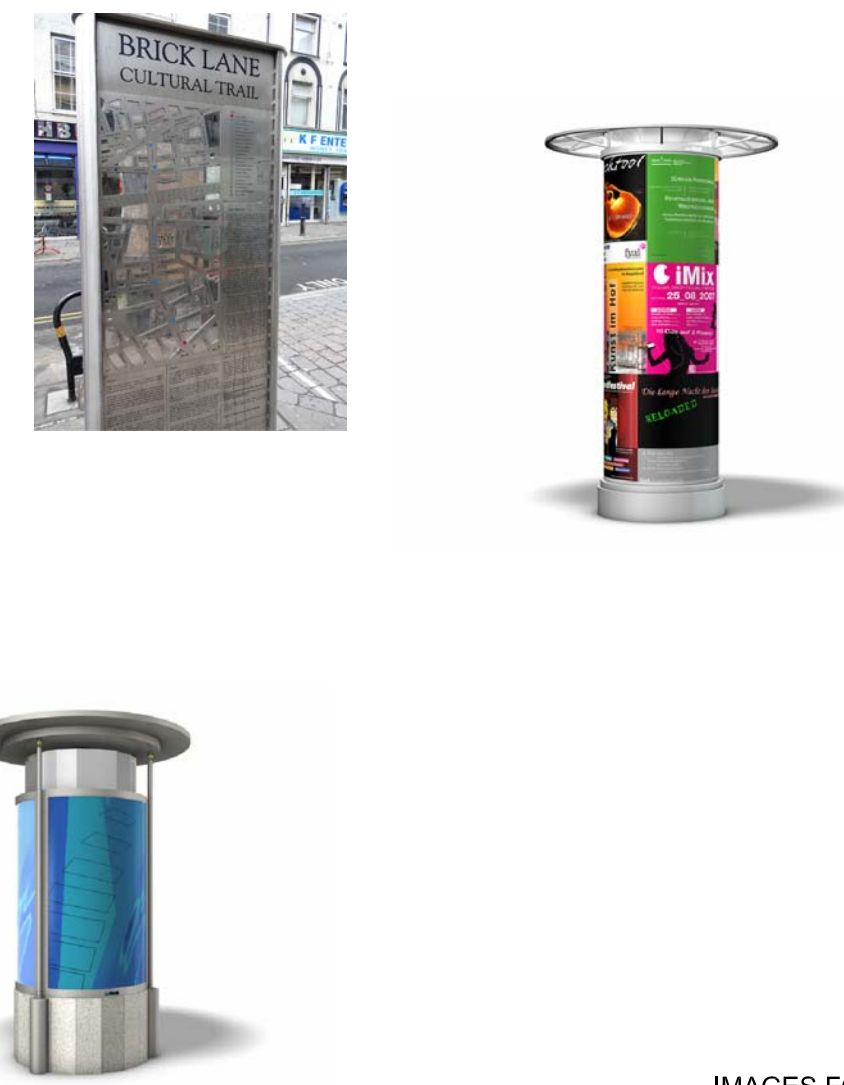
AVAILABLE THROUGH:
LANDSCAPE FORMS, INC.
431 LAWDALE AVE.
KALAMAZOO, MI 49048
PH.: 800.430.6209
FAX: 269.381.3455
www.landscapeforms.com

- NOTES:
1. CHAIR - NO ARMS
 2. 24" ROUND TABLE
 3. OR APPROVED EQUAL

3 CAFE TABLE AND CHAIRS

L-4.2 PICTORIAL

05A-XXX
NTS



IMAGES FOR REFERENCE ONLY